



LBC 3484/00 Horn Loudspeaker



- ▶ High efficiency driver
- ▶ Excellent speech reproduction
- ▶ Up to 75 W (max power)
- ▶ Provision for inside mounting of the optional line/loudspeaker supervision board
- ▶ Water and dust protected to IP 65
- ▶ Compliant with EVAC standards

Bosch high-efficiency horn loudspeakers provide excellent speech reproduction and sound distribution for a wide scope of outdoor applications. They are ideal for sports grounds, parks, exhibitions, factories and swimming pools. The LBC 3484/00 is a circular 50 W horn loudspeaker, measuring 490 mm (19.6 in) in diameter. They are made from aluminum. The edges of the horns are covered with a PVC profile for protection against impact damage. They are light grey (RAL 7035), and are water and dust protected.

Voice alarm loudspeaker

The LBC 3484/00 is designed for use in voice alarm systems and is compliant with EVAC standards.

The Horn loudspeaker has built-in protection to ensure that, in the event of a fire, damage to the loudspeaker does not result in failure of the circuit to which it is connected. In this way, system integrity is maintained; ensuring loudspeakers in other areas can still be used to inform people of the situation. The Horn loudspeaker has a ceramic terminal block, thermal fuse and heat resistant, high-temperature wiring.

They have provision for inside mounting the optional line/loudspeaker supervision boards.

Functions

The rear cover on the horn is made from self-extinguishing ABS (acc. to class UL 94 V0). The connection cable is fed out through a cable gland (PG 13.5) in rear cover. For loop through connection, the rear cover is fitted with a second hole (covered as standard supplied).

These integrated horns are also available as separate horn and driver, allowing installing any combination of horn and driver. See order information for the type numbers.

Certifications and Approvals

All Bosch loudspeakers are designed to withstand operating at their rated power for 100 hours in accordance with IEC 268-5 Power Handling Capacity (PHC) standards. Bosch has also developed the Simulated Acoustical Feedback Exposure (SAFE) test to demonstrate that they can withstand two times their rated power for short durations. This ensures extra reliability under extreme conditions, leading to higher customer satisfaction, longer operation life, and much less chance of failure or performance deterioration.

Safety	acc. to EN 60065
Water and dust protected	acc. to IEC 60529, IP 65
EVAC	acc. to BS 5839-8

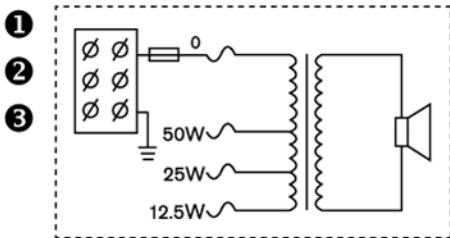
Installation/Configuration Notes

Simple Power Setting

The horn has a three-way terminal block with screw connection (including earth). Three primary taps are provided on the matching transformer to allow selection of nominal full-power, half-power or quarter-power radiation (in 3 dB steps).

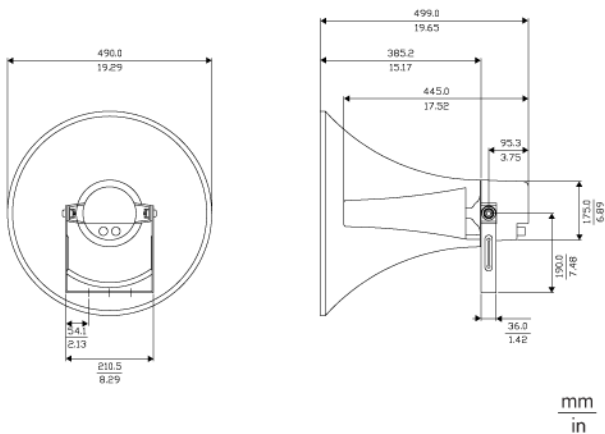
Mounting

The horn loudspeakers are supplied complete with sturdy adjustable steel mounting brackets, allowing the sound beam to be accurately directed.

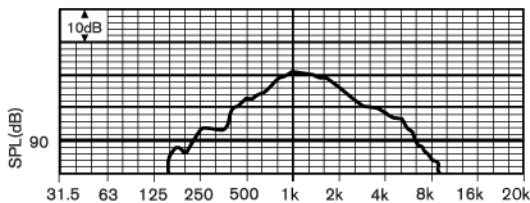


Circuit diagram

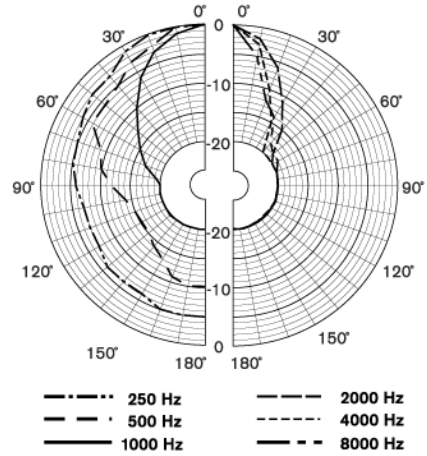
- 1 Common
- 2 Phase
- 3 Ground



Dimensions in mm (in)



Frequency response



Polar diagram (measured in pink noise)

Parts Included

Quantity	Components
1	LBC 3484/00 Horn Loudspeaker
1	PG 13.5 cable gland (fitted)

Technical Specifications

Electrical *

Maximum power	75 W
Rated power	50 / 25 / 12.5 W
Sound pressure level at 50 W / 1 W (1 kHz, 1 m)	130 dB / 110 dB (SPL)
Effective frequency range (-10 dB)	350 Hz to 4 kHz
Opening angle at 1 kHz/4 kHz (-6 dB)	60° / 28°
Rated voltage	100 V
Rated impedance	200 ohm
Connector	Screw terminal block

Mechanical

Dimensions (L x Dmax)	499 x 490 mm (20 x 19.6 in)
Weight	6 kg (13.22 lb)
Color	Light grey (RAL 7035)
Cable diameter	6 mm to 12 mm (0.24 in to 0.47 in)

Environmental

Operating temperature	-25 °C to +55 °C (-13 °F to +131 °F)
Storage temperature	-40 °C to +70 °C (-40 °F to +158 °F)
Relative humidity	<95%

Ordering Information

LBC 3484/00 Horn Loudspeaker 50 W, aluminum, circular	LBC 3484/00
--	-------------

Accessories

LBC 3472/00 Horn Driver 25 W, 100 V	LBC 3472/00
LBC 3473/00 Horn Driver 35 W, 100 V	LBC 3473/00
LBC 3474/00 Horn Driver 50 W, 100 V	LBC3474/00
LBC 3478/00 Horn, 14" without Driver aluminum, suitable for use with driver units LBC 3472/00, LBC 3473/00, and LBC 3474/00	LBC 3478/00
LBC 3479/00 Horn, 20" without Driver aluminum, suitable for use with driver units LBC 3472/00, LBC 3473/00, and LBC 3474/00	LBC 3479/00

Europe, Middle East, Africa:
Bosch Security Systems B.V.
P.O. Box 80002
5600 JB Eindhoven, The Netherlands
Phone: + 31 40 2577 284
Fax: +31 40 2577 330
emea.securitysystems@bosch.com
www.boschsecurity.com

Americas:
Bosch Security Systems, Inc.
130 Perinton Parkway
Fairport, New York, 14450, USA
Phone: +1 800 289 0096
Fax: +1 585 223 9180
security.sales@us.bosch.com
www.boschsecurity.us

Asia-Pacific:
Bosch Security Systems Pte Ltd
38C Jalan Pemimpin
Singapore 577180
Phone: +65 6319 3450
Fax: +65 6319 3499
apr.securitysystems@bosch.com
www.boschsecurity.com

Represented by